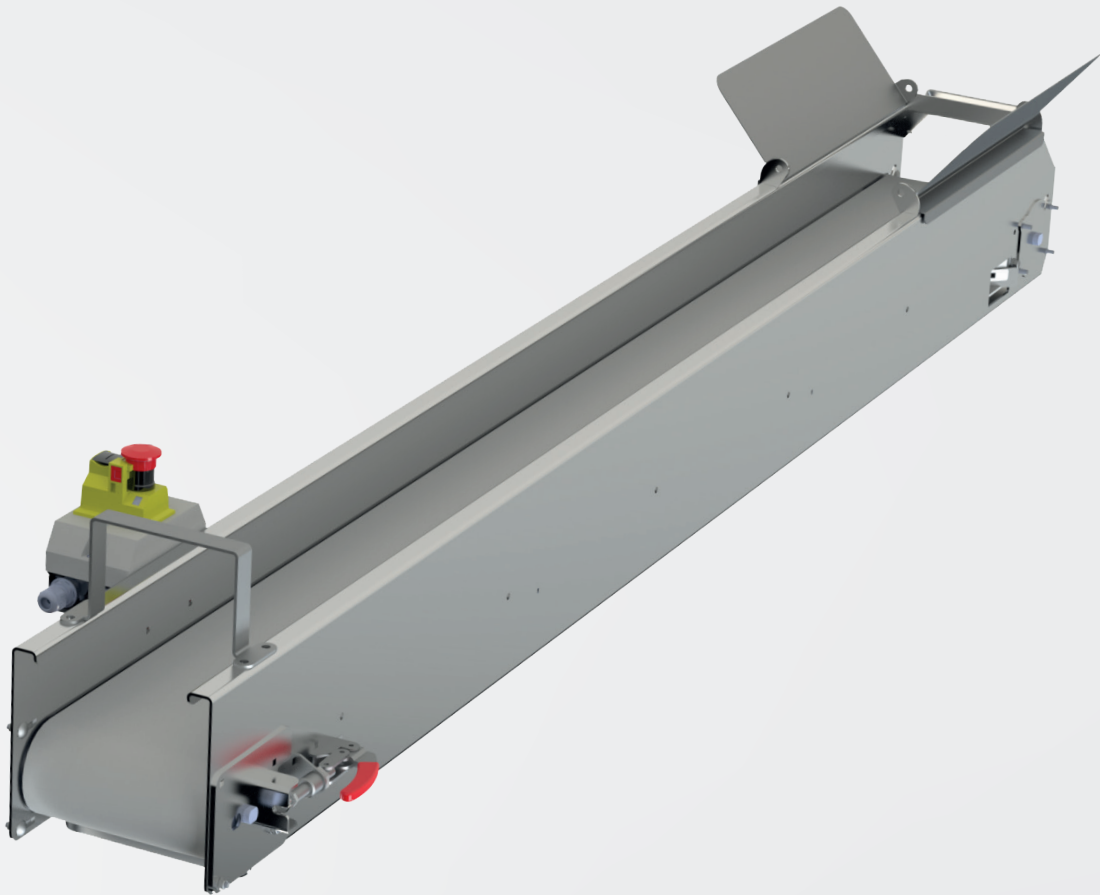


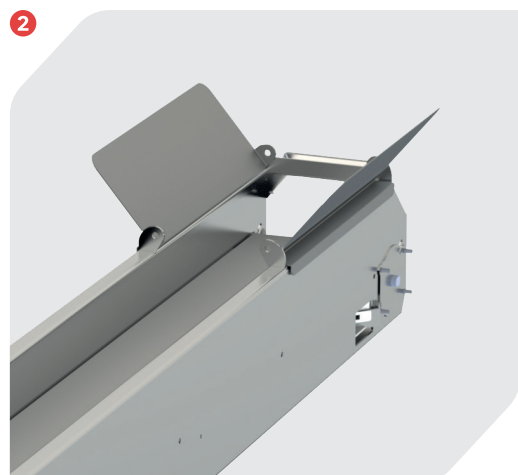
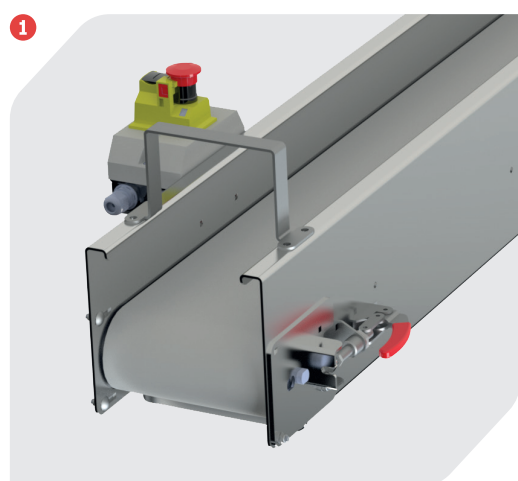
# DEVATTING BELT

THE GUARANTEE OF A SECURE DEVATTING



# COMPOSITION

- ▶ A carrying handle.
- ▶ Stainless steel clips that allow the belt to be loosened and tightened in seconds. For a complete wash at the end of the day, simply unhook the two ends of the belt to remove it. **1**
- ▶ A trapezoidal cleated belt.
- ▶ A drum motor.
- ▶ A retractable hopper. **2**
- ▶ Made of stainless steel (or aluminium).



## A WIDE RANGE OF MODELS TO SUIT YOUR NEEDS

Model WIDTH/LENGTH IN MM	Overall length IN MM
TD 205/2000	2200
TD 205/2500	2700
TD 305/2500	2700
TD 205/2800	3000
TD 205/3500	3620

## A PRODUCT WITH MANY ADVANTAGES

- ▶ Light weight.
- ▶ Great manoeuvrability due to its light weight.
- ▶ Easy to clean.
- ▶ Easy to dismantle.
- ▶ Workstation ergonomics.

**SOCMA®**

ZA du Castellas  
599, avenue du Col de Chèvre  
11100 Montredon-des-Corbières

+33 (0)4 68 41 50 30  
socma@socma.info  
socma.info